

LM-HD-AS Lateral Heavy Duty Mount Kit, All Steel

LM-HD-AS is a heavy duty all weather resistant mount kit for exposed dipole antennas. LM-HD-AS is designed to mount an exposed dipole antenna to a mast and to attach the mast to the tower leg. This kit features an all steel construction top standoff that will hold securely the mast tip to the tower to avoid deflection. This kit is only to be used with exposed dipole antennas. Do not use with fiberglass radome antennas.

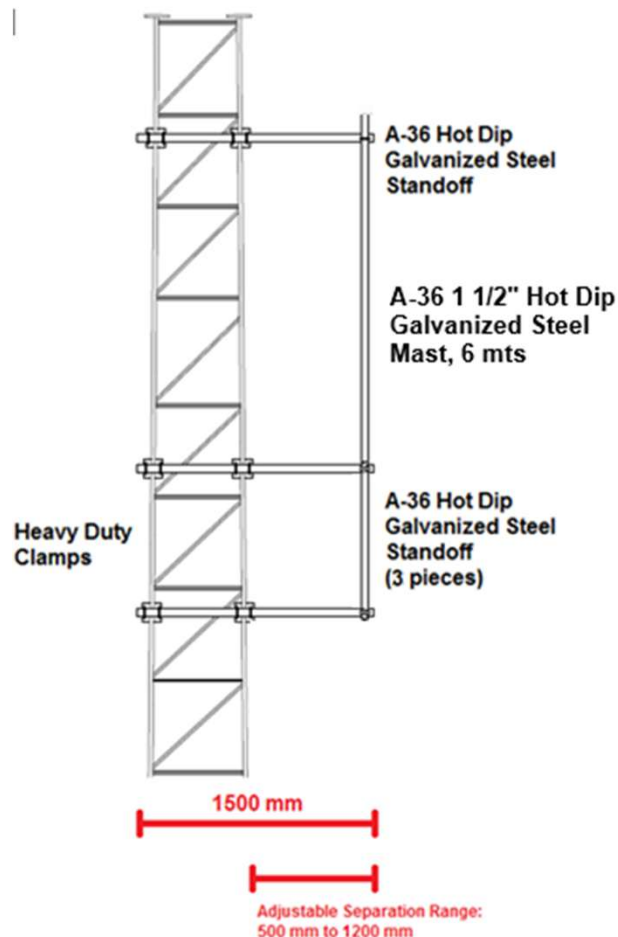
The kit includes a 1 ½" hot dip galvanized steel 6 meter mast to mount the dipoles antenna.

In the bottom, the LM-HD-AS has two hot dip galvanized steel standoffs that will hold antenna base firmly to tower leg.

LM-HD-AS is supplied complete with nuts, bolts and clamps.

FEATURES

- Rugged Design, Heavy Duty All Steel Construction
- A-36 Hot Dip Galvanized Steel bottom and top standoff (3 pieces)
- A-36 Hot Dip Galvanized Steel 1 ½" OD mast (6 meter length)
- Total Separation: 1500 mm
- Adjustable separation from tower leg (500 mm to 1200 mm)
- Heavy Duty Clamps



Mechanical Specifications

Total Length	6000 mm
Separation from Tower Leg	500 mm to 1200 mm
Hot Dip Galvanized Steel	ASTM A-123
Max Tower Leg Diameter	100 mm
Max Antenna Base Diameter	100 mm
Max Antenna Tip Diameter	100 mm
Mast Diameter	1 ½", 38 mm